

Robic M703 Twin Timers User's Instructions

FEATURES

- Jumbo LCD, Big Digit Display
- Dual timers with count up/down function
- Hour-Minute-Second setting from 99 hours 59 minutes 59 seconds
- Blinking color changing LED from green to red
- Memory function
- Visual indicator

FUNCTION KEYS

T1 key: Press it to select Timer1.

T2 key: Press it to select Timer 2.
In clock mode, press it to set the time.

M key: In Timer1/Timer2 mode, press and hold it for 2 seconds to enter count down setting.
In count down time setting, press it to remember the setting value.

HR key: In setting mode, press it to change the Hour value.

MIN key: In setting mode, press it to change the Minute value.

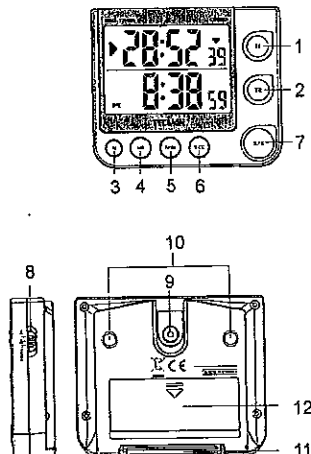
SEC key: In setting mode, press it to change the Second value.
In clock time setting, press it to select the 12/24 hours format.

S/S key: Press it to start/stop the timer.

Mute/lo/hi switch: Slide the switch to select the alarm volume.

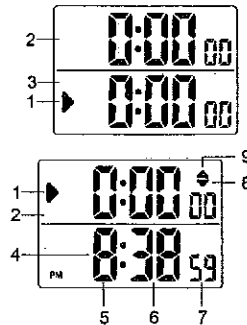
PRODUCT DESCRIPTION

1. Timer1 key
2. Timer2 key
3. Memory key
4. Hour key
5. Minute key
6. Second key
7. Start/Stop key
8. Mute/low/high switch
9. Wall mount
10. Magnet
11. Table stand
12. Battery door



LCD DISPLAY

1. Timer mode indicator
2. Timer1 window
3. Timer2 window
4. Clock window
5. Hour
6. Minute
7. Second
8. Count down indicator
9. Count up indicator



CLOCK TIME SETTING

1. In Timer2 mode, press and hold "T2" for 2 seconds to enter the clock mode.
2. In clock mode, press and hold "T2" for 2 seconds to enter time setting.
3. Press "HR", "MIN" keys to set the Hour & Minute separately.
4. Press "SEC" key to select the 12/24 hour format.
5. Press "T2" key to save and exit the setting mode, or let it exit automatically 30 seconds later without pressing any key.

Note:

In clock mode, press "T2" key once to return to the Timer2 mode.

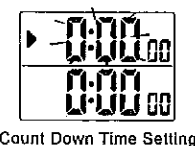
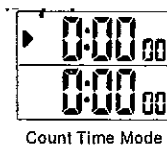


COUNT DOWN TIME MEMORY SETTING

1. In Timer1/Timer2 mode, press and hold "M" key for 2 seconds to enter the countdown time setting.
2. Press "HR", "MIN", "SEC" key to set the Hour, Minute, and Second separately.
3. Press "M" key again to confirm and exit the setting, or let it exit automatically 30 seconds later without pressing any key.

Note:

The timer will store the time value as memory time when you press the "M" key.



USING COUNT DOWN TIME MEMORY FUNCTION

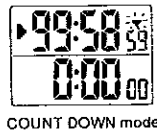
1. Set the count down time memory as described in the previous section.
2. Press "S/S" key once to start the countdown function.
3. Press "S/S" key again to stop the countdown function.
4. The alarm will ring when the time counts down to 0. Press "S/S" key to stop the alarm and return to the pre-set memory time.

Note:

1. During counting time mode, the green light indicator will keep flashing.
2. The timer will turn to count up time mode automatically when the countdown time goes to 0, with the alarm ringing synchronized.
3. The alarm sound will last for 1 minute, with red light indicator flashes.

USING COUNT DOWN TIME FUNCTION

1. In Timer1/Timer2 mode, set count down time by pressing "HR", "MIN", "SEC" key to set the Hour, Minute and Second separately.
2. Press "S/S" key to start the countdown function.
3. Press "S/S" key again to stop the countdown function.
4. The alarm will ring when the time counts down to 0. Press "S/S" key to stop the alarm and return to the pre-set countdown time.



USING COUNT UP TIME FUNCTION

1. When Timer1/Timer2 displays 0:00⁰⁰, press "S/S" key once to start count up time function.
2. Press "S/S" key again to stop the count up function.

Note:

The Timer will count up to 99 hours 59 minutes 59 seconds unless you press "S/S" key to stop it.

HOW TO CHANGE THE COUNT DOWN TIME MEMORY

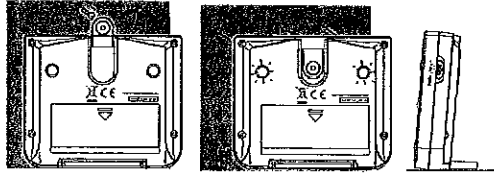
1. Press and hold "M" key for 2 seconds until the digits flash, then press "HR", "MIN", "SEC" key to set the desired value.
2. Press "M" key again to confirm and exit the setting.

HOW TO CLEAR THE DATA

Set the count down time and the count down time memory as described in the previous sections. Press "MIN" and "SEC" key at the same time to clear all the data to 0 after you've finished counting.

HOW TO PLACE THE TIMER

This timer has both desktop and wall-mounting structures. Place a screw on the desired wall and hang the timer by the wall mount in the back of it or simply place it on the desktop by its table stand. Furthermore, you can use the magnet in the back of the timer to attach it to a metal surface.



BATTERY REPLACEMENT

When the LCD becomes dim, replace the batteries with two new AAA size batteries at once, paying attention to battery polarity.

Note:

Please dispose of used unit or batteries in an ecologically safe manner!

